




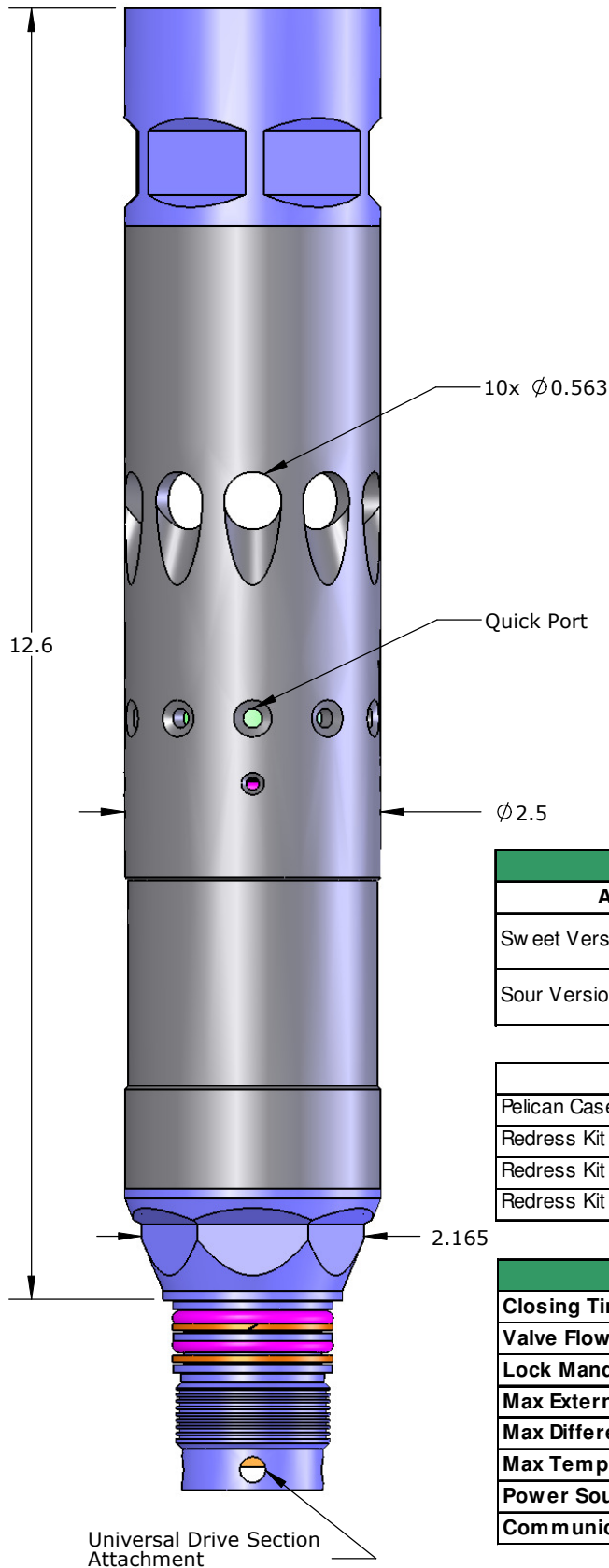


#### Features

-  Instant Close Time
-  Multiple Cycle Capability
-  Metal to Metal Seals
-  Eliminates Wellbore Storage Effect
-  Modular Design



#### 2.5" OD Quick Shut In Tool Production Valve

Assembly Type	Material	Part No.
Sweet Version	SS17-4 Toughmet Piston	100205
Sour Version	Inconel 718 Toughmet Piston	100219

Accessory Type	Part No.
Pelican Case Assembly	100193
Redress Kit Viton 90	100223
Redress Kit Aflas 7182B	100224
Redress Kit Chemraz 510	100225

#### Specifications

<b>Closing Time</b>	Instantaneous
<b>Valve Flow Area</b>	2.50 in <sup>2</sup> (16.1 cm <sup>2</sup> )
<b>Lock Mandrel Flow Area</b>	2.40 in <sup>2</sup> (15.5 cm <sup>2</sup> )
<b>Max External Pressure</b>	15,000 psi (1,000 bar)
<b>Max Differential Pressure</b>	10,000 psi (700 bar)
<b>Max Temperature</b>	350°F (177°C)
<b>Power Source</b>	3 "C" Cell Battery Pack (11.7 Volts, 9.3Ahr)
<b>Communication Method</b>	USB