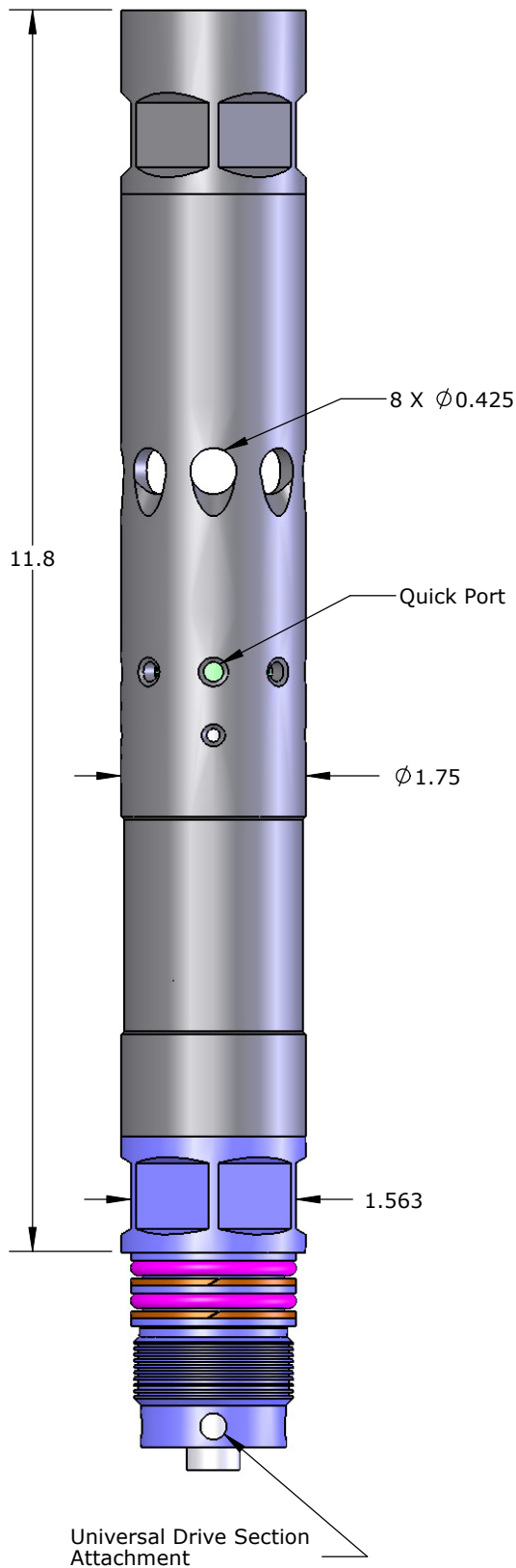


Features

- ✦ Instant Close Time
- ✦ Multiple Cycle Capability
- ✦ Metal to Metal Seals
- ✦ Eliminates Wellbore Storage Effect
- ✦ Modular Design



1.75" OD Quick Shut In Tool Production Valve

Assembly Type	Material	Part No.
Sweet Version	SS17-4 Toughmet Piston	100077
Sour Version	Inconel 718 Toughmet Piston	100126

Accessory Type

Accessory Type	Part No.
Pelican Case Assembly	100193
Redress Kit Viton 90	100190
Redress Kit Af las 7182B	100191
Redress Kit Chemraz 510	100192

Specifications

Closing Time	Instantaneous
Valve Flow Area	1.135 in ² (7.3 cm ²)
Lock Mandrel Flow Area	1.00 in ² (6.5 cm ²)
Max External Pressure	15,000 psi (1,000 bar)
Max Differential Pressure	10,000 psi (700 bar)
Max Temperature	350 °F (177 °C)
Power Source	3 "C" Cell Battery Pack (11.7 Volts, 9.3Ahr)
Communication Method	USB