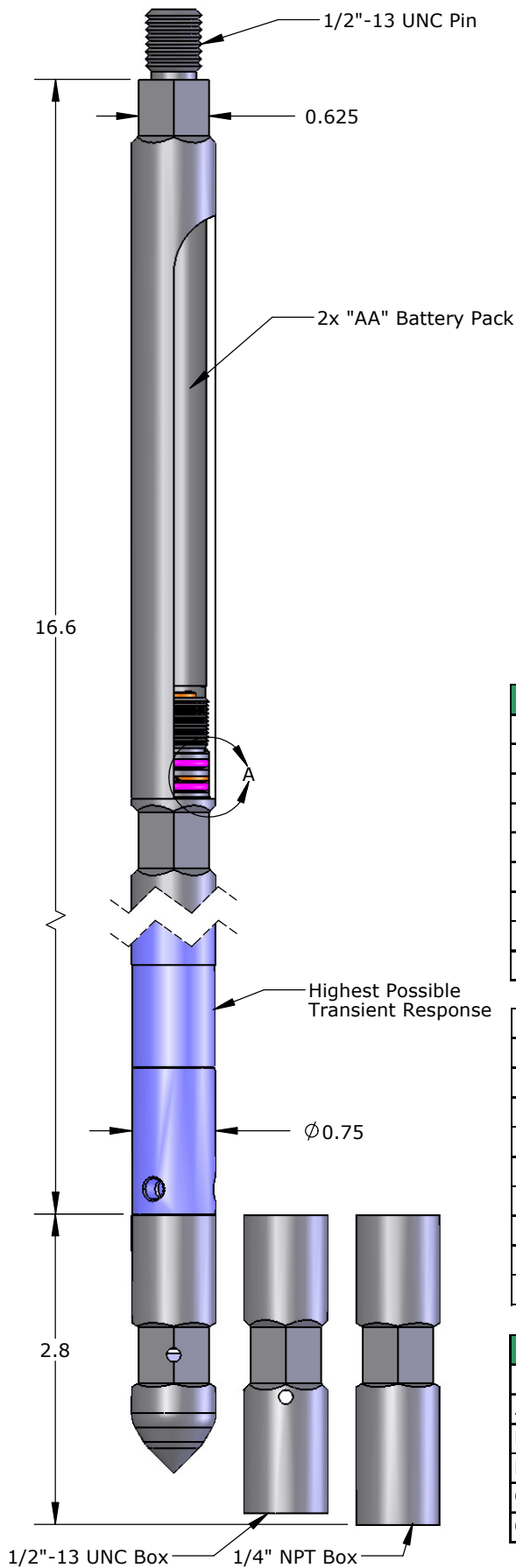
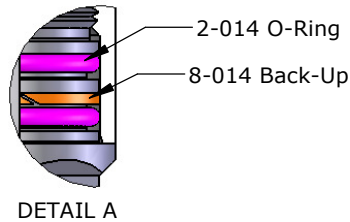


#### Features

-  200°C Option
-  2 Million Sample Capacity
-  Inconel 718 or MP35N – NACE MR0175



0.75" OD Quartz Memory Tool - Inconel 718		
Pressure	Temperature	Part No.
10,000 psi	150°C	100390
16,000 psi	150°C	100391
16,000 psi	177°C	100392
20,000 psi	177°C	100393
20,000 psi	200°C	100394
25,000 psi	177°C	100395
25,000 psi	200°C	100396
30,000 psi	200°C	100397

Accessory Type	Part No.
Bullnose Inconel 718	100402
Crossover 0.5-13 UNC Inconel 718	100403
Crossover 0.25 NPT Inconel 718	100404
Battery Barrel 2 X "AA" Inconel 718	100755
Pelican Case Assembly	100444
USB to Serial Converter Assembly	100682
Redress Kit Viton 90	100445
Redress Kit Aflas 7182B	100446
Redress Kit Chemraz 510	100447

Specifications		
	Pressure	Temperature
<b>Accuracy</b>	0.020% F.S.	0.25 °C
<b>Resolution</b>	0.00006% F.S.	0.005 °C
<b>Drift</b>	< 3 psi / year	< 0.1 °C / year
<b>Capacity</b>	2 Million Samples	
<b>Communication Method</b>	USB	