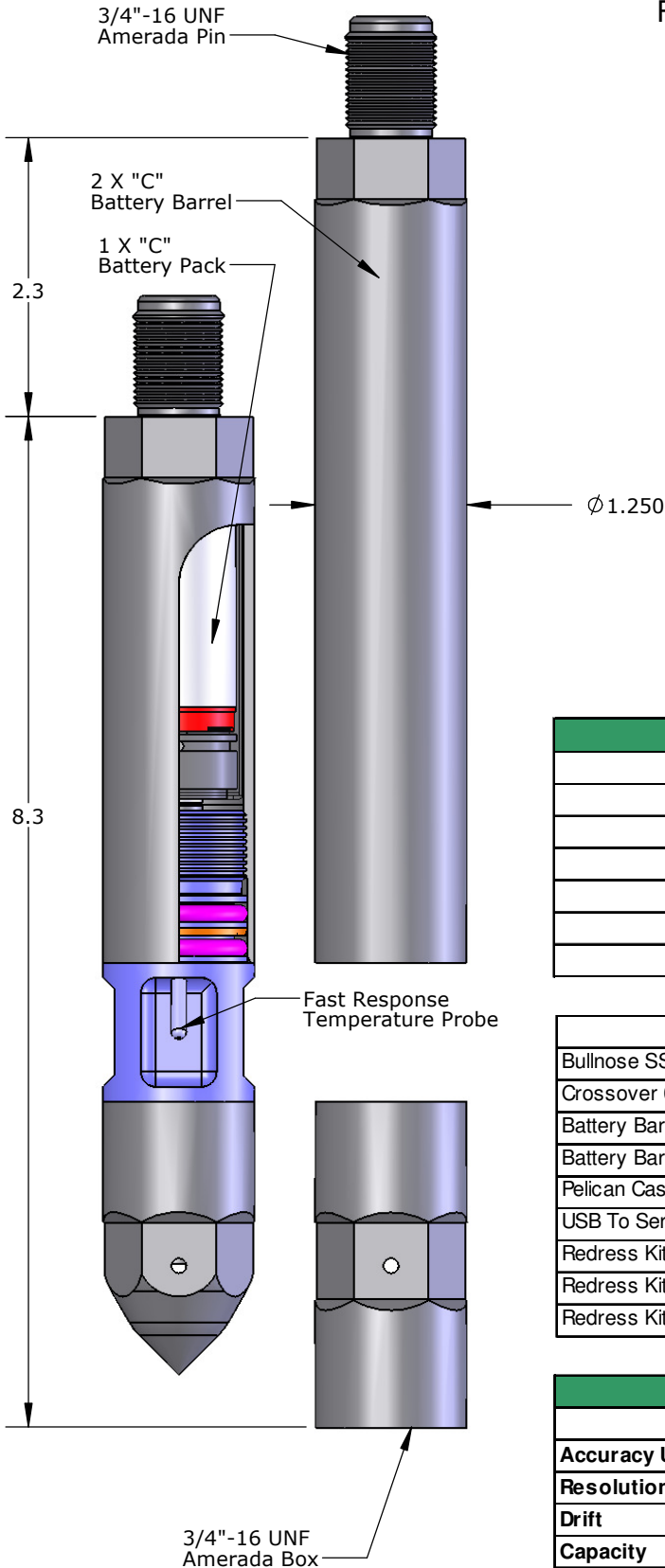


Features

- ✦ Fast Response Temperature Probe
- ✦ Electron Beam Welded Pressure Sensor
- ✦ Higher Reliability – Shock Mounted Electronics
- ✦ Options:
 - 0.1s Fast Sample Rate Option
 - Pressure Trigger Option
- ✦ 1 Million Sample Capacity
- ✦ Inconel 718 – NACE MR0175



1.25" OD Welded Piezo RTD Memory Tool - Inconel 718		
Pressure	Temperature	Part No.
750 psi	100 °C	102672
1,500 psi	120 °C	102673
3,000 psi	150 °C	102674
6,000 psi		102675
10,000 psi	177 °C	102676
15,000 psi		102677

Accessory Type	Part No.
Bullnose SS17-4	101238
Crossover 0.75-16 UNF SS17-4	101239
Battery Barrel 1 x "C" Inconel 718	100485
Battery Barrel 2 x "C" Inconel 718	100486
Pelican Case Assembly	100501
USB To Serial Converter Assembly	100682
Redress Kit Viton 90	100911
Redress Kit Aflas 7182B	101002
Redress Kit Chemraz 510	101003

Specifications		
	Pressure	Temperature
Accuracy Up To	0.022% F.S.	0.25 °C
Resolution	0.0003% F.S.	0.005 °C
Drift	< 3 psi / year	< 0.1 °C / year
Capacity	1 Million Samples	
Communication Method	USB	