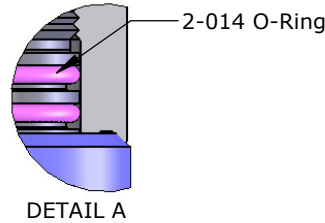
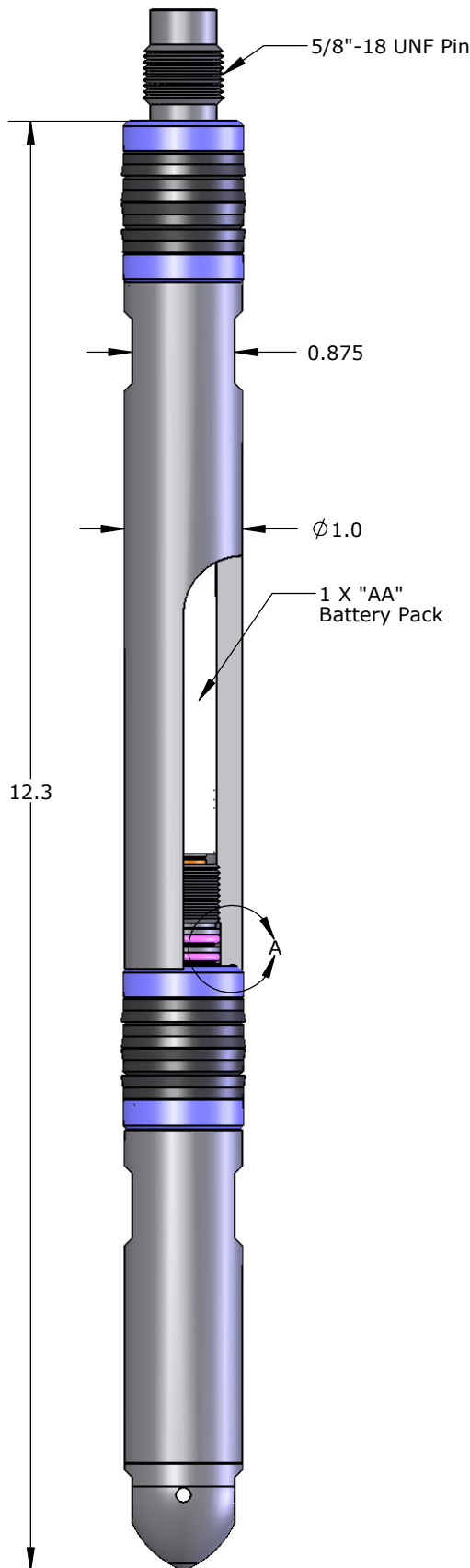


Features

- ✦ SS17-4 or Inconel 718
- ✦ 1 Million Sample Capacity
- ✦ High Temperature Reliability
- ✦ 0.1s Fast Sample Rate Option
- ✦ Pressure Trigger Option
- ✦ 2 x "AA" Available on Request



1.00" OD Side Pocket Piezo Memory Tool - SS17-4		
Pressure	Temperature	Part No.
750 psi	100°C	100167
1,500 psi	120°C	100769
3,000 psi	150°C	100770
6,000 psi		100771
10,000 psi	177°C	100772
15,000 psi		100773
20,000 psi		100774

1.00" OD Side Pocket Piezo Memory Tool - Inconel 718		
Pressure	Temperature	Part No.
750 psi	100°C	100775
1,500 psi	120°C	100776
3,000 psi	150°C	100777
6,000 psi		100778
10,000 psi	177°C	100779
15,000 psi		100780
20,000 psi		100781

Accessory Type	Part No.
Pelican Case Assembly	100783
Top Latch SS17-4	100149
Top Latch Inconel 718	100782

Specifications		
	Pressure	Temperature
Accuracy Up To	0.022% F.S.	0.25°C
Resolution	0.0003% F.S.	0.005°C
Drift	< 3 psi / year	< 0.1°C / year
Capacity	1 Million Samples	
Communication Method	USB	