



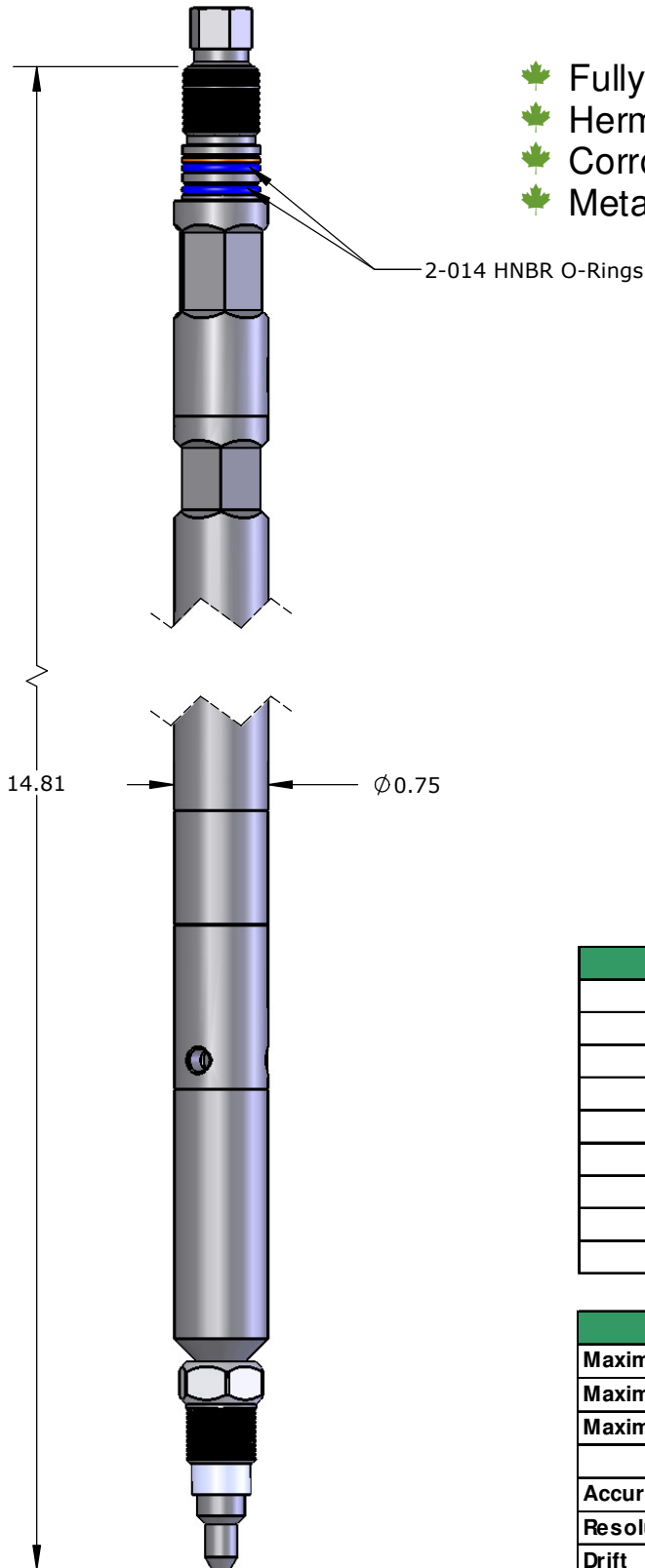


Features

-  Fully Welded Construction
-  Hermetically Sealed
-  Corrosion Resistant NACE MR0175
-  Metal to Metal Seals



0.75" OD Quartz Permanent Gauge 2 - Inconel 718			
Pressure	Temperature	Wire Size	Part No.
10,000 psi	150°C	1/8"	102208
16,000 psi			102209
20,000 psi			102210
25,000 psi			102211
10,000 psi		1/4"	102212
16,000 psi			102213
20,000 psi			102214
25,000 psi			102215

Specifications		
Maximum External Pressure	10% Over	
Maximum O.D.	0.75 in	31.75mm
Maximum Temperature	300°F	150°C
	Pressure	Temperature
Accuracy	0.020% F.S.	0.25°C
Resolution	0.00006% F.S.	0.005°C
Drift	< 3 psi / year	< 0.5°C / year