



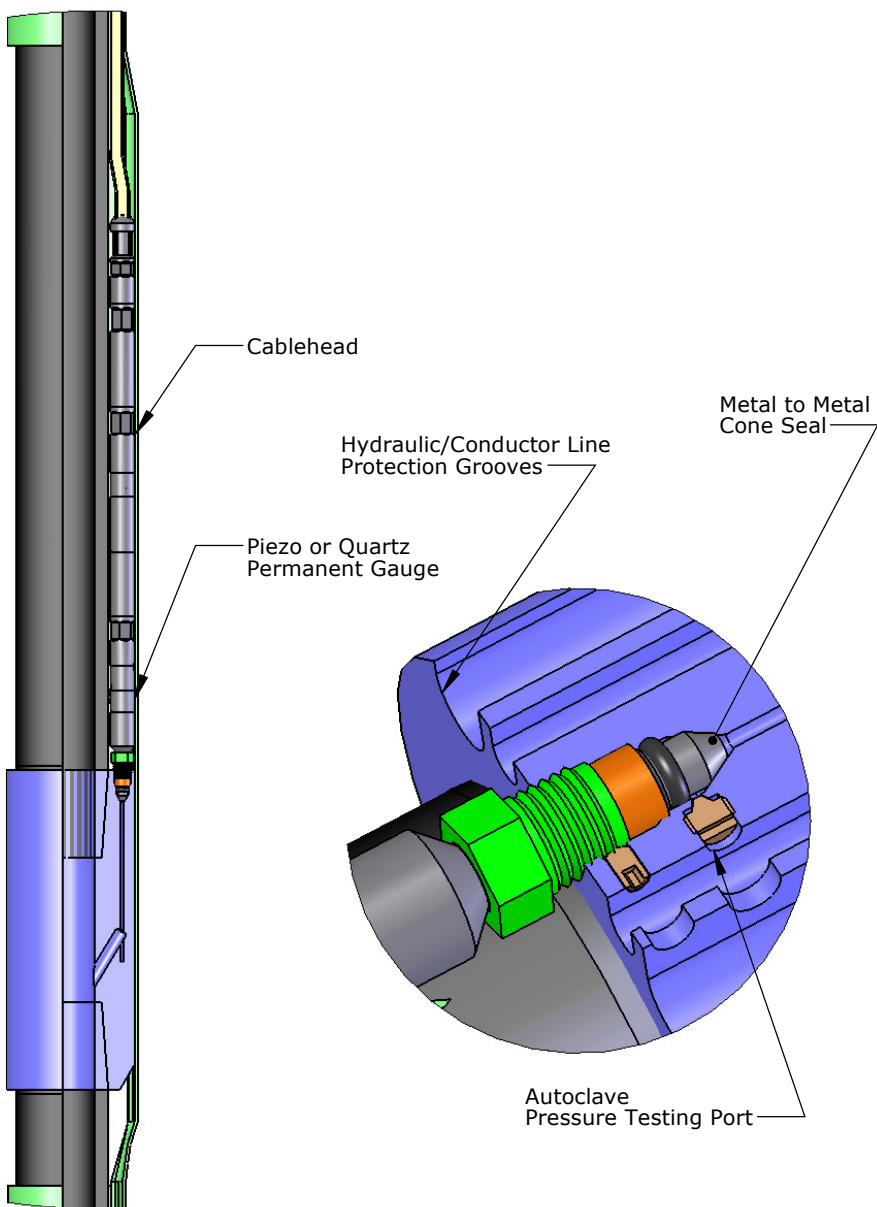
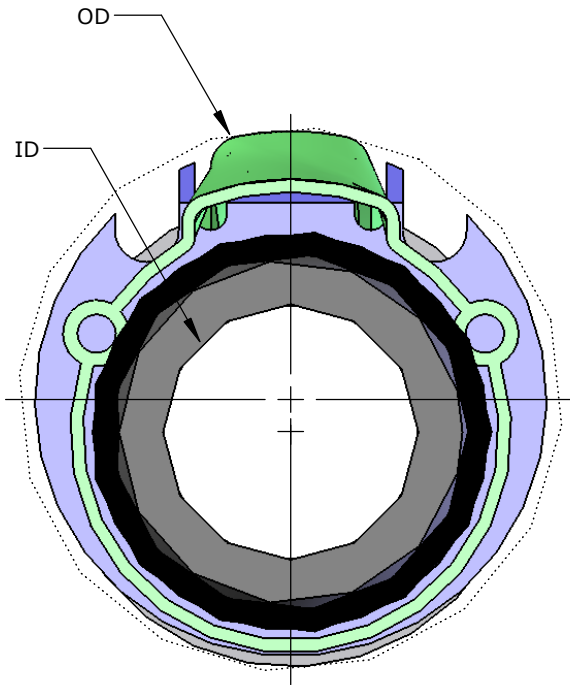








### Features

-  Non Welded Construction
-  Custom Configurations
-  Metal to Metal Seals
-  Pressure Testable



The Non-Welded Carrier Assembly Comes With:



-  Non-Welded Gauge Carrier Billet
-  2 and 4 Foot Long Pup Joints
-  Collar
-  Gauge Protector
-  #10-32 Set Screw
-  1/4 -28 Pressure Port Plug

Non-Welded Carrier Assembly											
Tubing	OD	ID	Drift ID	Offset	Weight	Tensile	Collapse	Burst	Connection	Material	Part No.
	(inches)	(mm)			(lb/ft)	(lb)	(psi)				
<b>2.375</b> <i>60.3</i>	3.525	1.867	1.773	0.325	5.95	102,990	15,280	14,970	EUE	4140 L80	100287
										Teflon ID	100288
									EUE Modified	4140 L80	100289
										Teflon ID	100290
<b>2.875</b> <i>73.0</i>	4.125	2.441	2.347	0.313	6.5	105,570	11,160	10,570	EUE	4140 L80	100316
										Teflon ID	100317
									EUE Modified	4140 L80	100318
										Teflon ID	100319
<b>3.5</b> <i>88.9</i>	4.8125	2.992	2.867	0.281	9.3	159,090	10,530	10,160	EUE	4140 L80	100345
										Teflon ID	100346
									EUE Modified	4140 L80	100347
										Teflon ID	100348
<b>4.5</b> <i>114.3</i>	5.762	3.958	3.833	0.281	12.75	208,730	7,500	8,430	EUE	4140 L80	100374
										Teflon ID	100375
									EUE Modified	4140 L80	100376
										Teflon ID	100377