



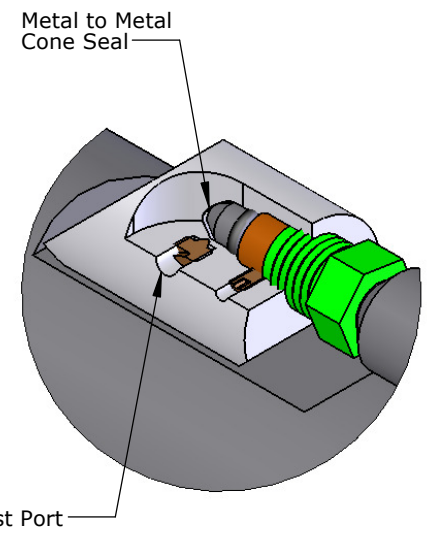
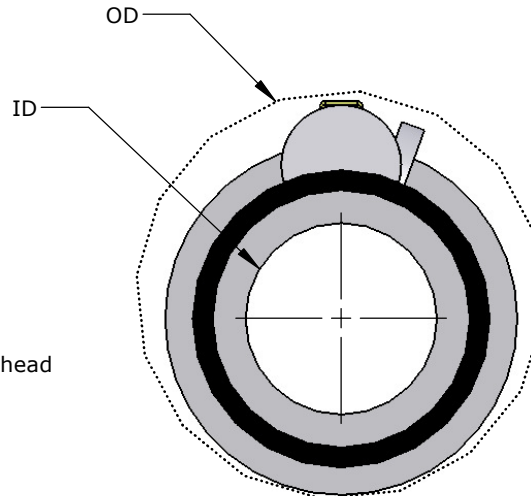


Features

-  Cost Effective Alternative
-  Custom Configurations
-  Metal to Metal Seals
-  Pressure Testable



Welded Carrier Assembly - J55							
Tubing	OD	ID	Drift ID	Offset	Connection	Sensing	Part No.
	(inches)	(mm)					
2.375 60.3	3.125 79.4	1.995 50.6	1.901 48.3	0.375 9.5	EUE	Annulus	100291
						Tubing	100292
					EUE Modified	Annulus	100293
						Tubing	100294
2.875 73.0	3.625 92.1	2.441 62.0	2.347 59.6	0.375 9.5	EUE	Annulus	100320
						Tubing	100321
					EUE Modified	Annulus	100322
						Tubing	100323
3.5 88.9	4.25 107.9	2.992 78.0	2.867 72.8	0.375 9.5	EUE	Annulus	100349
						Tubing	100350
					EUE Modified	Annulus	100351
						Tubing	100352
4.5 114.3	5.25 133.3	3.958 100.5	3.833 97.4	0.375 9.5	EUE	Annulus	100378
						Tubing	100379
					EUE Modified	Annulus	100340
						Tubing	100341