


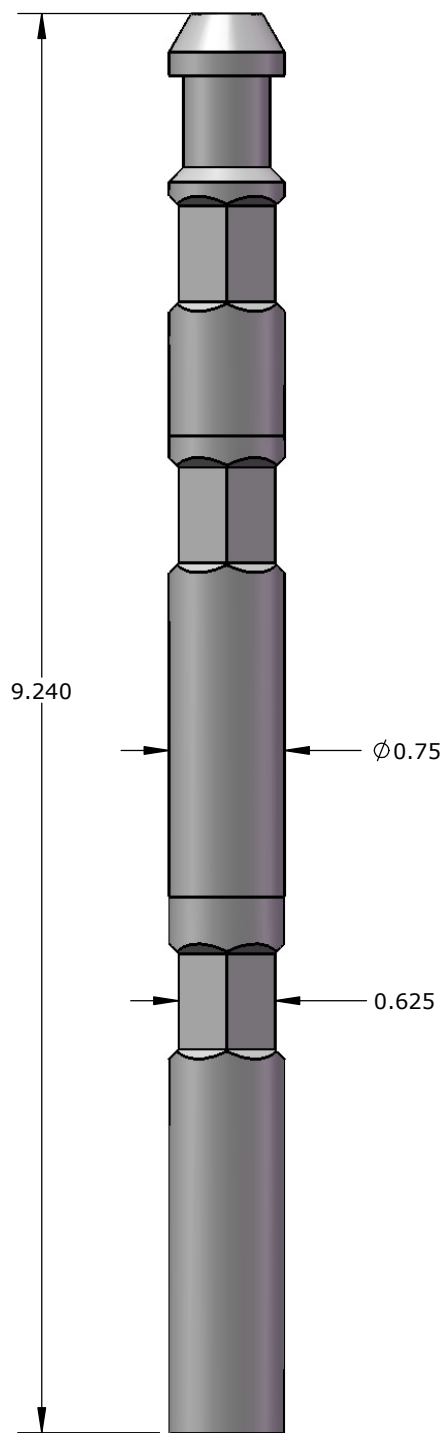


#### Features

-  Universal Connection
-  Corrosion Resistant NACE MR0175
-  Metal to Metal Seals



0.75" OD Cablehead II			
Wire Size	Assembly Type	Material	Part No.
1/8"	Sweet Version	SS17-4 SS316	102664
	Sour Version	Inconel 625 Hastelloy C-276	102665
1/4"	Sweet Version	SS17-4 SS316	101905
	Sour Version	Inconel 625 Hastelloy C-276	101915

Specifications	
Maximum External Pressure - Sweet	15,000 psi
Maximum External Pressure - Sour	20,000 psi