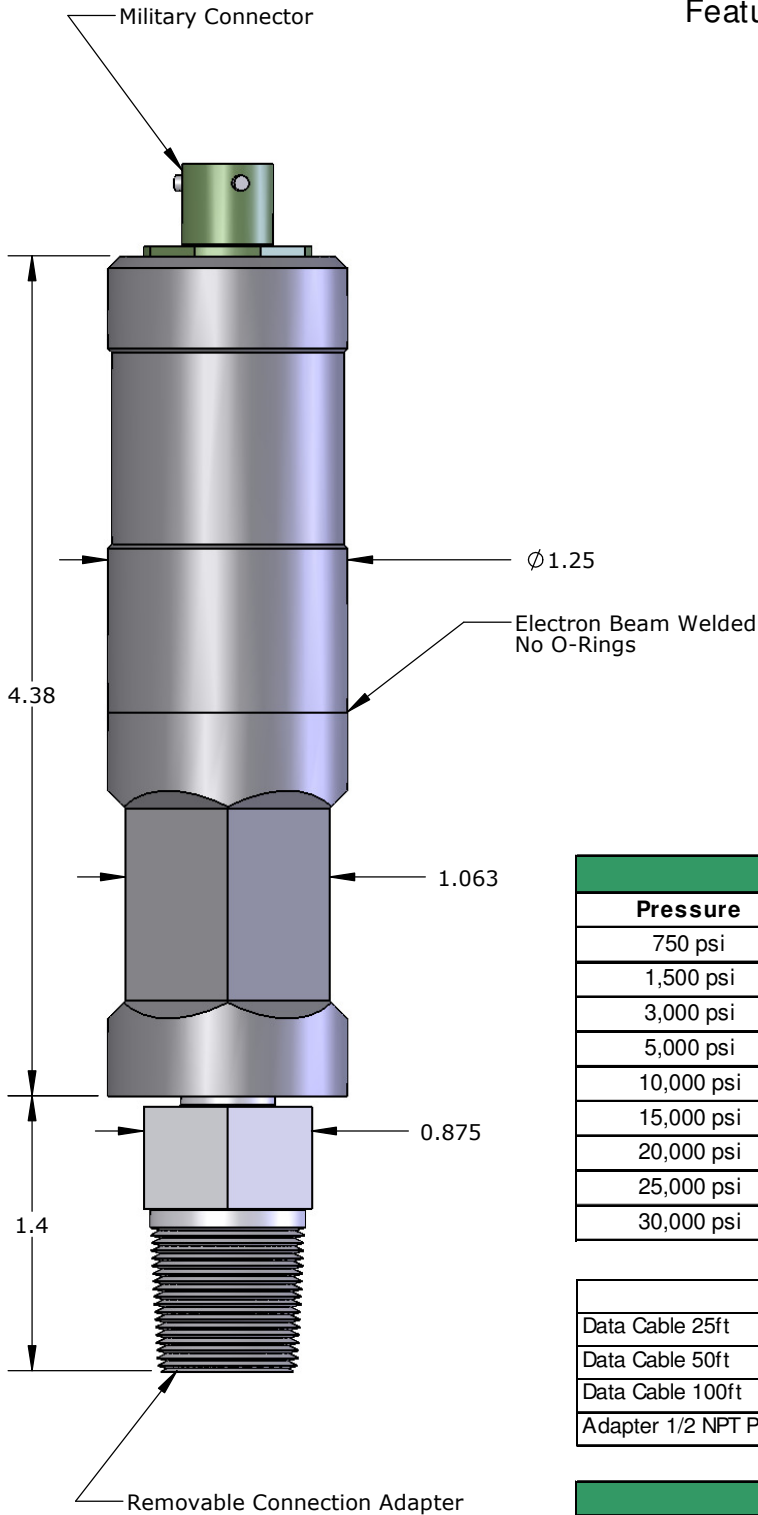


Features

- ✦ Easy to Use Software
- ✦ Digital Chart Records
- ✦ Multiple Sensor
- ✦ Custom Pin or Box Connections Upon Request



1.25" OD Pressure Transmitter			
Pressure	Temperature	Connection	Part No.
750 psi	85°C	1/4" NPT	101631
1,500 psi			101630
3,000 psi			101629
5,000 psi			101628
10,000 psi		1/4" Autoclave	101627
15,000 psi			101626
20,000 psi			101625
25,000 psi			102369
30,000 psi			102370

Accessory Type	Part No.
Data Cable 25ft	101796
Data Cable 50ft	101797
Data Cable 100ft	101798
Adapter 1/2 NPT Pin x HM4	101438

Specifications		
	Pressure	Temperature
Accuracy Up To	0.022% F.S.	0.25°C
Resolution	0.0003% F.S.	0.005°C
Drift	< 3 psi / year	< 0.1°C/year
Communication Method	USB	