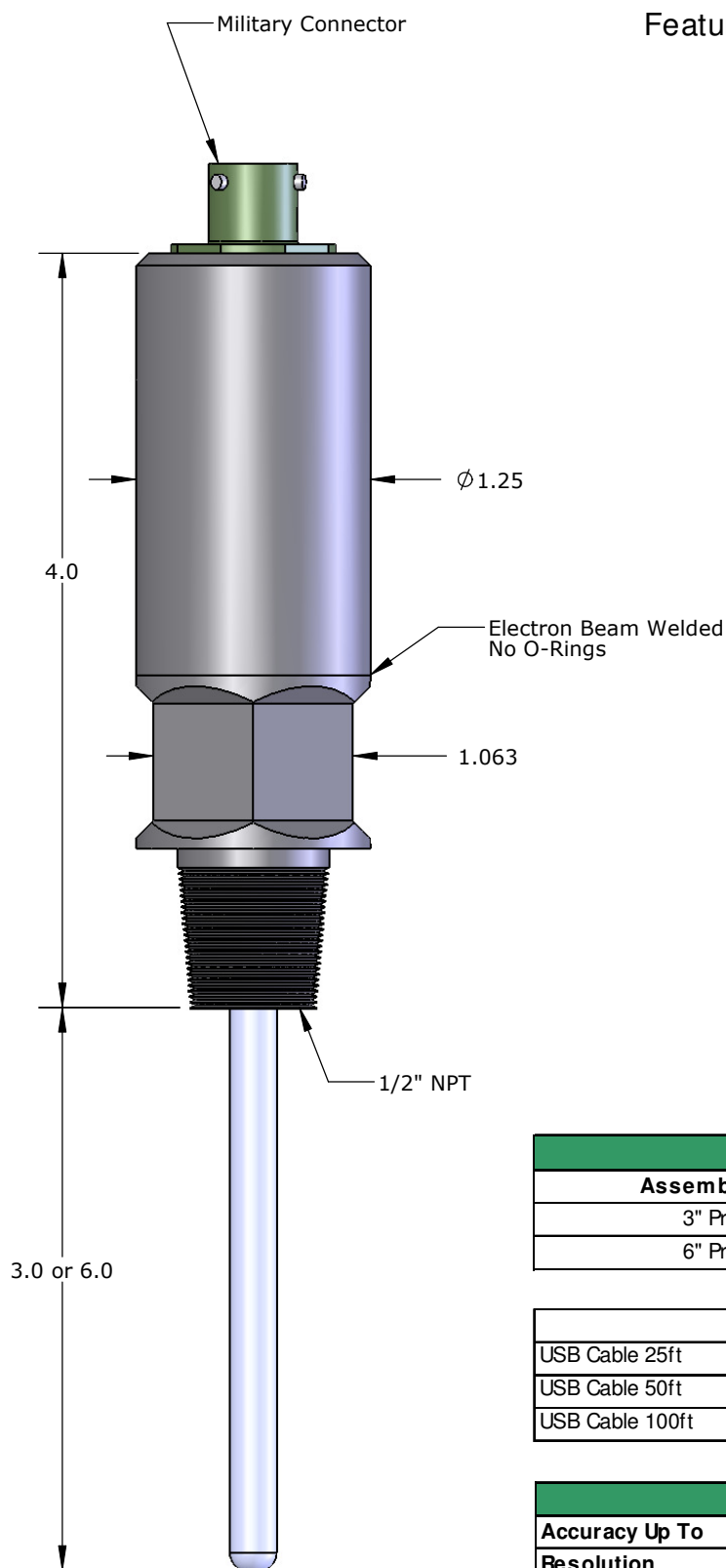


Features

- ✦ Easy to Use Software
- ✦ Digital Chart Records
- ✦ Multiple Sensor
- ✦ Custom Pin or Box Connections Upon Request



1.25" OD Temperature Transmitter - SS17-4		
Assembly Type	Temperature	Part No.
3" Probe	200 °C	101499
6" Probe		101500

Accessory Type	Part No.
USB Cable 25ft	100997
USB Cable 50ft	100998
USB Cable 100ft	100999

Specifications	
Accuracy Up To	0.25 °C
Resolution	0.005 °C
Drift	<0.1 °C/year
Communication Method	USB